

MIOL-B

Medium intensity
Nocturnal

According to ICAO type B
According to FAA L864

PROMIC

LXS
LUXSOLAR®



ICAO features

Light type	Medium intensity B
Lighting	Nocturnal
Colour	Red
Signal type	Flashing (20-40-60 fpm)
Luminance	2.000 cd

Technological features

Optics	Polycarbonate lenses
Light source	1 red level of 48 LED
Cooling system	Central convection
External protection	Borosilicate thermal hardened glass
Electronic access	Electronic cards in cabinet

Electrical features

Available power supply	24 ; 48 VDC and 230 VAC
Average consumption (40 fpm in 24V)	5 W
Moisture protection	IP 66
Operating temperatures	-50C° to +80C°
LED lifetime	10 years minimum at 20C°

Environmental features

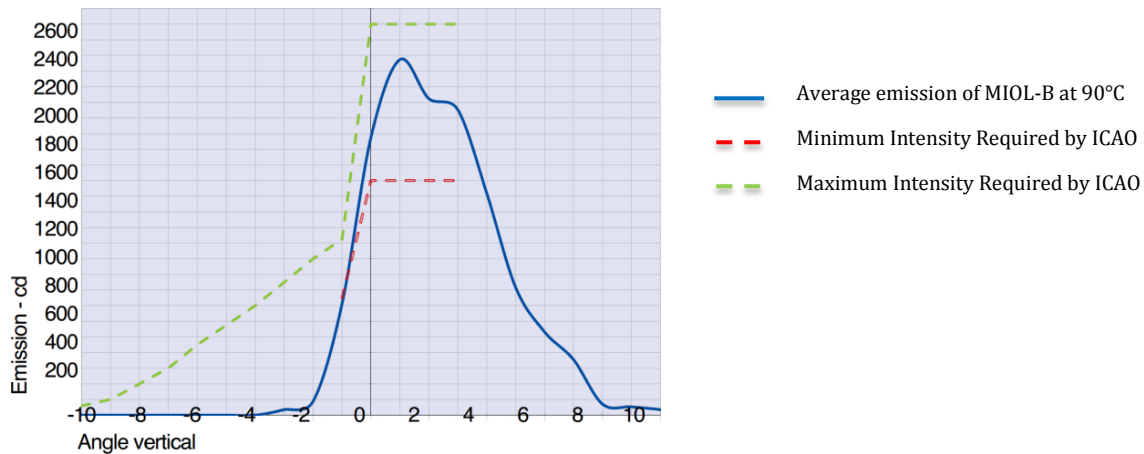
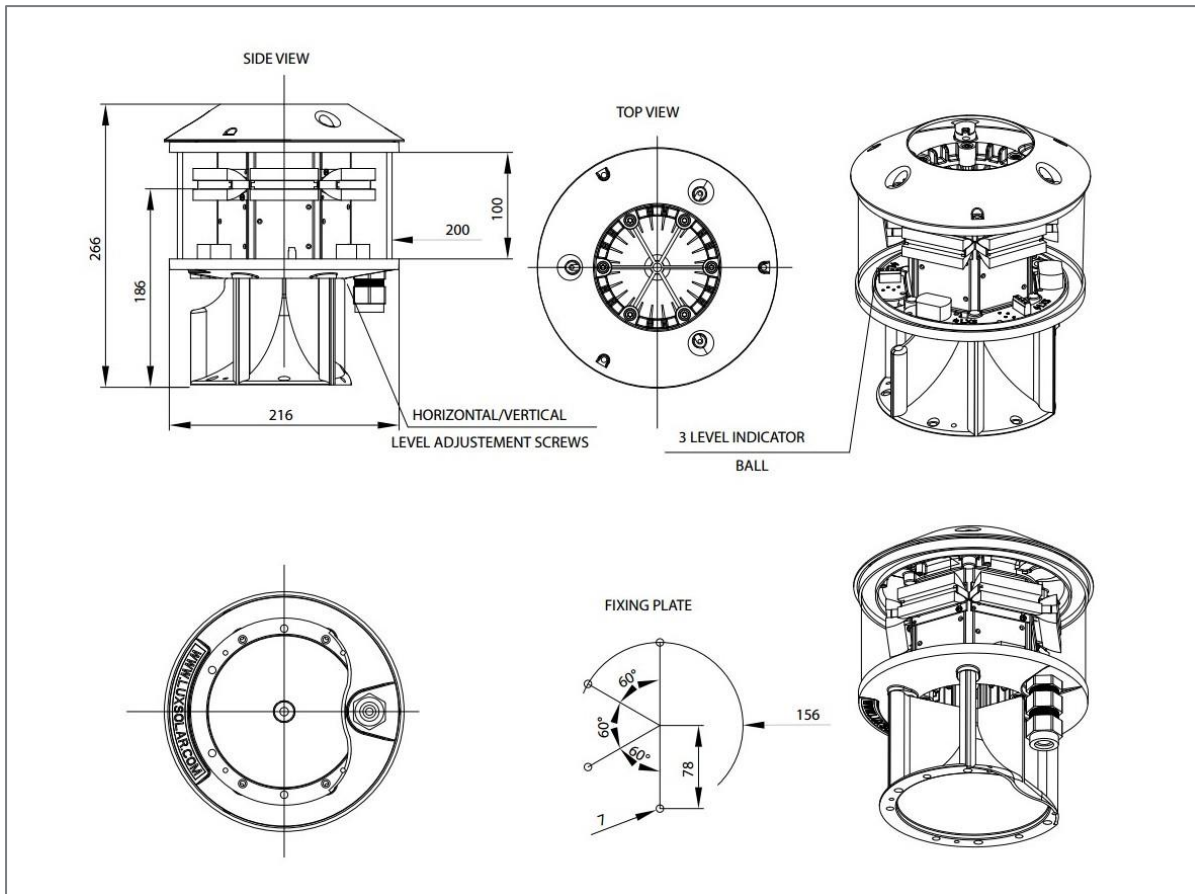
Area	Safe, without explosion risks
Body structure	Anodised aluminium
Weight	5 kg
Diameter	220 mm
High	130 mm

Other

Fixations	Flat base ; tubular
STAC certificates	2013A037
Warranty	36 months
Available options	Alarm ; quick connectors ; twilight sensor ; 180° ; twin lights



Dimensions & emissions schemes



Business application



Pylons



Cranes



Chimneys



Buildings



Wind turbines