

MIOL-A

Medium intensity
Diurnal and nocturnal

According to ICAO type A
According to FAA L865

PROMIC

LXS
LUXSOLAR®

ICAO features

Light type	Medium intensity A
Lighting	Nocturnal and diurnal
Colour	White for day / white for night
Signal type	Flashing (20-40-60 fpm)
Luminance	20.000 cd day and 2.000 cd night

Technological features

Optics	Polycarbonate lenses
Light source	2 white levels of 48 LED
Cooling system	Central convection
External protection	Borosilicate thermal hardened glass
Electronic access	Electronic cards in cabinet

Electrical features

Available power supply	24 VDC or 230V AC
Average consumption (40 fpm in 230V)	Day 95 W / night 16 W
Moisture protection	IP 66
Operating temperatures	-50C° to +80C°
LED lifetime	10 years minimum at 20C°

Environmental features

Area	Safe, without explosion risks
Body structure	Anodised aluminium
Weight	6 Kg
Diameter	220 mm
High	130 mm

Other

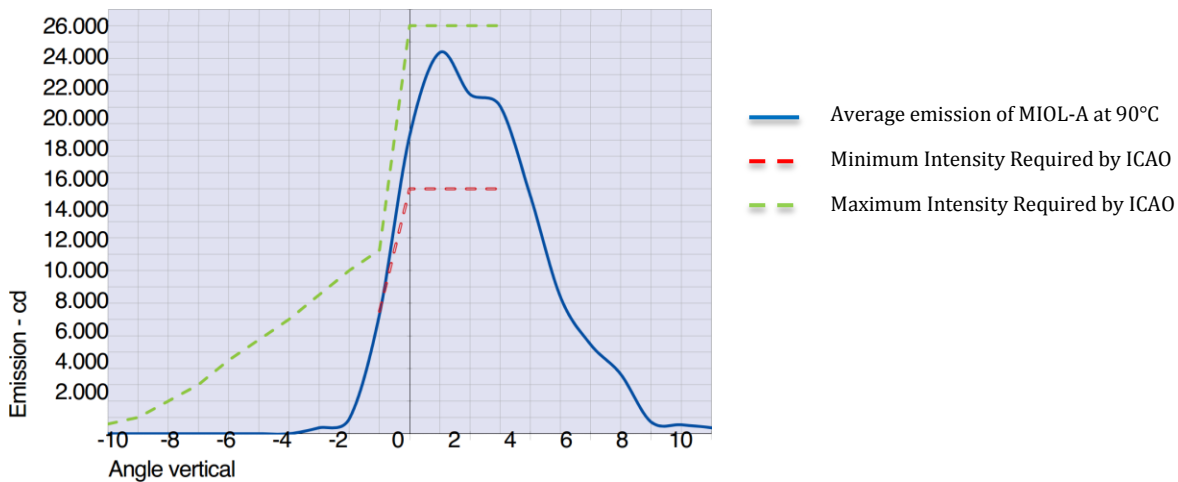
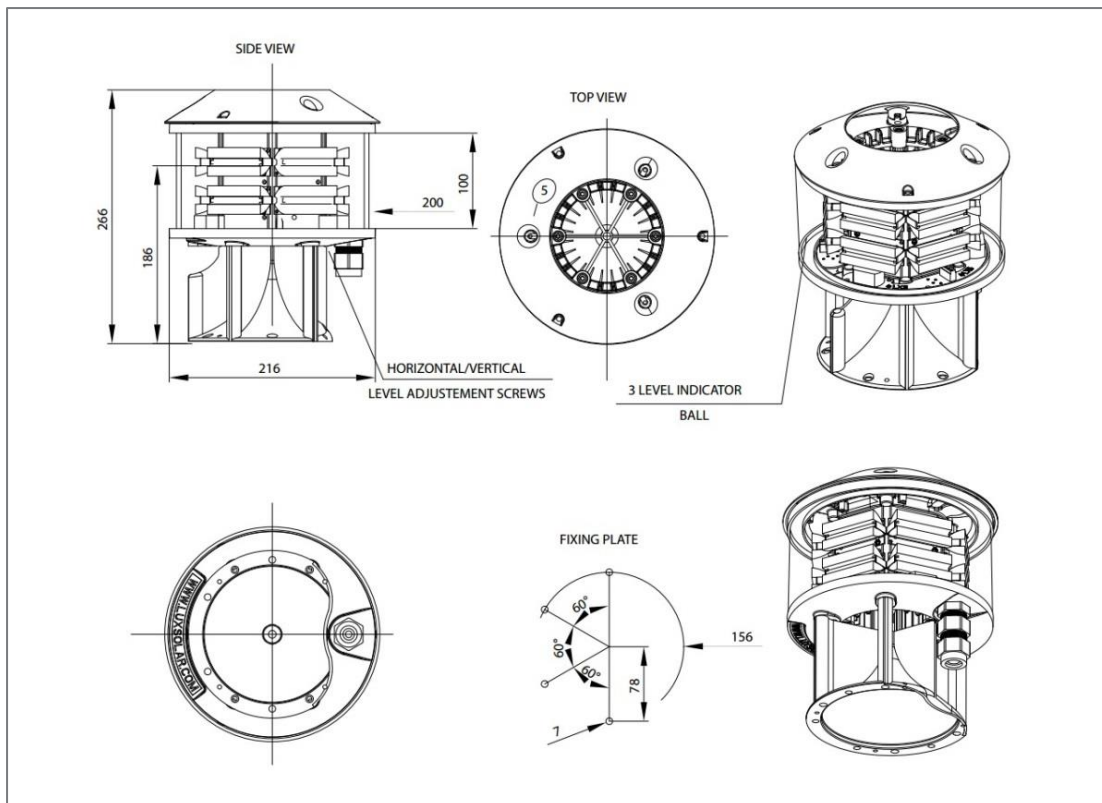
Fixations	Flat base ; tubular
STAC certificates	2013A038
Warranty	36 months
Available options	Alarm ; quick connectors ; twilight sensor ; 180° ; twin light



MIOL-A
With twin light

Toutes les spécifications techniques sont susceptibles d'être modifiées sans préavis

Dimensions & emissions schemes



Business application



Pylons



Cranes



Chimneys



Buildings



Wind turbines