



LIOL-A

Low intensity
Nocturnal

According to ICAO type A
According to FAA L810

PROMIC

LXS
LUXSOLAR®

ICAO features

Light type	Low intensity type A
Lighting	Nocturnal
Colour	Red
Signal type	Fixed
Luminance	10 cd

Technological features

Optics	Aluminium reflector
Light source	LED (4 to 8)
Cooling system	Heat-sink pins
External protection	Borosilicate thermal hardened glass
Electronic access	Electronic circuit integrated

Electrical features

Available power supply	12 ; 24 ; 48 V DC and 115 ; 230 V AC
Average consumption (in 24V)	3 W
Moisture protection	IP 65
Operating temperatures	-20C° to +50C°
LED lifetime	10 years minimum at 20C°

Environmental features

Area	Safe, without explosion risks
Body structure	Anodised aluminium
Weight	1 Kg
Diameter	120 mm
High	110 mm

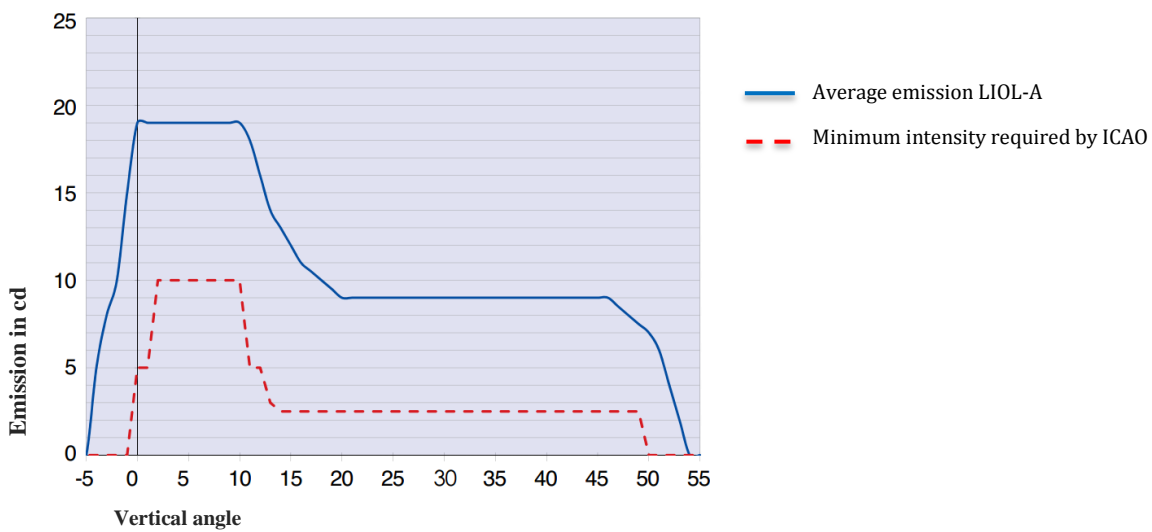
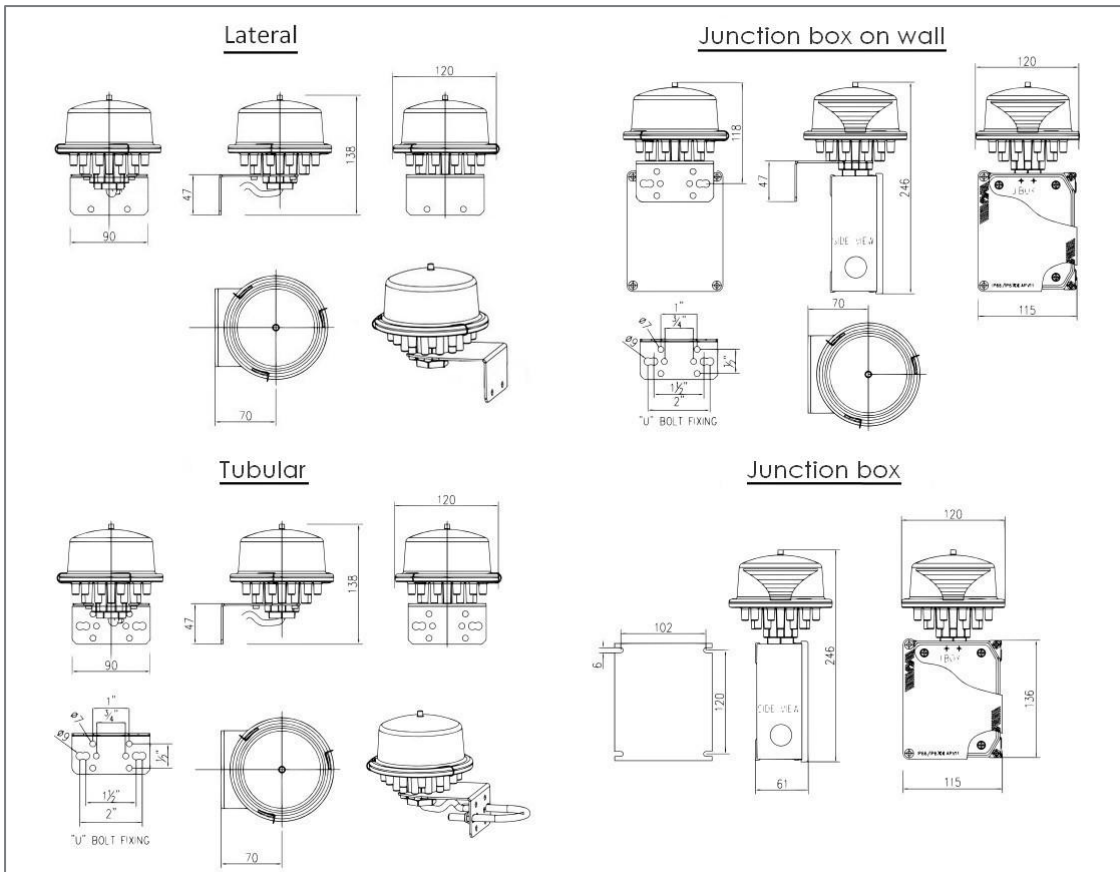
Other

Fixations	Flat base ; tubular; junction box
STAC certificates	2010A021
Warranty	36 months
Available options	Alarm ; quick connectors ; twilight sensor ; twin light



The technical specifications can be changed without prior notice

Dimensions & emissions schemes



Business application



Pylons



Cranes



Chimneys



Buildings